

ACCESSORIES 1.1

rauch ORANGE

for sliding door robes



EASY
SLIDE



Colour	Colour code
Texline (natural-colour linen look)	A0033



Texline colour

Supplier: Rauch Möbelwerke GmbH

ACCESSORIES 1.1

rauch ORANGE

Purchase Price list

24.11.2023 SIS_AG
valid until revoked



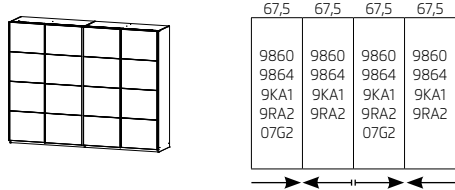
Options for installing the drawer units, shelf inserts and trouser pull-out

Sliding door wardrobes, 2-door	Sliding door wardrobes, 3-door	Sliding door wardrobes with drawers																																																																																																																																								
<p>↔ 136 cm</p> <table border="1"> <tr><td>67,5</td><td>67,5</td></tr> <tr><td>9860</td><td>9860</td></tr> <tr><td>9864</td><td>9864</td></tr> <tr><td>9KA1</td><td>9KA1</td></tr> <tr><td>9RA2</td><td>9RA2</td></tr> <tr><td>9MK0</td><td>9MK0</td></tr> </table>	67,5	67,5	9860	9860	9864	9864	9KA1	9KA1	9RA2	9RA2	9MK0	9MK0	<p>↔ 203 cm</p> <table border="1"> <tr><td>67,5</td><td>67,5</td><td>67,5</td></tr> <tr><td>9860</td><td>9860</td><td>9860</td></tr> <tr><td>9864</td><td>9864</td><td>9864</td></tr> <tr><td>9KA1</td><td>9KA1</td><td>9KA1</td></tr> <tr><td>9RA2</td><td>9RA2</td><td>9RA2</td></tr> <tr><td>07G2</td><td>07G2</td><td>9MK0</td></tr> <tr><td>9MK0</td><td>9MK0</td><td>9MK0</td></tr> </table>	67,5	67,5	67,5	9860	9860	9860	9864	9864	9864	9KA1	9KA1	9KA1	9RA2	9RA2	9RA2	07G2	07G2	9MK0	9MK0	9MK0	9MK0	<p>↔ 181 cm</p> <table border="1"> <tr><td>90</td><td>90</td></tr> <tr><td>9865</td><td>9865</td></tr> <tr><td>9866</td><td>9866</td></tr> <tr><td>9KA2</td><td>9KA2</td></tr> <tr><td>98M2</td><td>98M2</td></tr> <tr><td>9898</td><td>9898</td></tr> <tr><td>9RA1</td><td>9RA1</td></tr> <tr><td>07G1</td><td>07G1</td></tr> <tr><td>9SH0</td><td>9SH0</td></tr> <tr><td>9MK1</td><td>9MK1</td></tr> </table>	90	90	9865	9865	9866	9866	9KA2	9KA2	98M2	98M2	9898	9898	9RA1	9RA1	07G1	07G1	9SH0	9SH0	9MK1	9MK1																																																																																			
67,5	67,5																																																																																																																																									
9860	9860																																																																																																																																									
9864	9864																																																																																																																																									
9KA1	9KA1																																																																																																																																									
9RA2	9RA2																																																																																																																																									
9MK0	9MK0																																																																																																																																									
67,5	67,5	67,5																																																																																																																																								
9860	9860	9860																																																																																																																																								
9864	9864	9864																																																																																																																																								
9KA1	9KA1	9KA1																																																																																																																																								
9RA2	9RA2	9RA2																																																																																																																																								
07G2	07G2	9MK0																																																																																																																																								
9MK0	9MK0	9MK0																																																																																																																																								
90	90																																																																																																																																									
9865	9865																																																																																																																																									
9866	9866																																																																																																																																									
9KA2	9KA2																																																																																																																																									
98M2	98M2																																																																																																																																									
9898	9898																																																																																																																																									
9RA1	9RA1																																																																																																																																									
07G1	07G1																																																																																																																																									
9SH0	9SH0																																																																																																																																									
9MK1	9MK1																																																																																																																																									
<p>↔ 181 cm</p> <table border="1"> <tr><td>90</td><td>90</td></tr> <tr><td>9865</td><td>9865</td></tr> <tr><td>9866</td><td>9866</td></tr> <tr><td>9KA2</td><td>9KA2</td></tr> <tr><td>98M2</td><td>98M2</td></tr> <tr><td>9898</td><td>9898</td></tr> <tr><td>9RA1</td><td>9RA1</td></tr> <tr><td>07G1</td><td>07G1</td></tr> <tr><td>9SH0</td><td>9SH0</td></tr> <tr><td>9MK1</td><td>9MK1</td></tr> </table>	90	90	9865	9865	9866	9866	9KA2	9KA2	98M2	98M2	9898	9898	9RA1	9RA1	07G1	07G1	9SH0	9SH0	9MK1	9MK1	<p>↔ 271 cm</p> <table border="1"> <tr><td>90</td><td>90</td><td>90</td></tr> <tr><td>9865</td><td>9865</td><td>9865</td></tr> <tr><td>9866</td><td>9866</td><td>9866</td></tr> <tr><td>9KA2</td><td>9KA2</td><td>9KA2</td></tr> <tr><td>98M2</td><td>98M2</td><td>98M2</td></tr> <tr><td>9898</td><td>9898</td><td>9898</td></tr> <tr><td>9RA1</td><td>9RA1</td><td>9RA1</td></tr> <tr><td>07G1</td><td>07G1</td><td>07G1</td></tr> <tr><td>9SH0</td><td>9SH0</td><td>9SH0</td></tr> <tr><td>9MK1</td><td>9MK1</td><td>9MK1</td></tr> </table>	90	90	90	9865	9865	9865	9866	9866	9866	9KA2	9KA2	9KA2	98M2	98M2	98M2	9898	9898	9898	9RA1	9RA1	9RA1	07G1	07G1	07G1	9SH0	9SH0	9SH0	9MK1	9MK1	9MK1	<p>↔ 226 cm</p> <table border="1"> <tr><td>112,5</td><td>112,5</td></tr> <tr><td>9804</td><td>9804</td></tr> <tr><td>9806</td><td>9806</td></tr> <tr><td>9KA4</td><td>9KA4</td></tr> </table>	112,5	112,5	9804	9804	9806	9806	9KA4	9KA4																																																																														
90	90																																																																																																																																									
9865	9865																																																																																																																																									
9866	9866																																																																																																																																									
9KA2	9KA2																																																																																																																																									
98M2	98M2																																																																																																																																									
9898	9898																																																																																																																																									
9RA1	9RA1																																																																																																																																									
07G1	07G1																																																																																																																																									
9SH0	9SH0																																																																																																																																									
9MK1	9MK1																																																																																																																																									
90	90	90																																																																																																																																								
9865	9865	9865																																																																																																																																								
9866	9866	9866																																																																																																																																								
9KA2	9KA2	9KA2																																																																																																																																								
98M2	98M2	98M2																																																																																																																																								
9898	9898	9898																																																																																																																																								
9RA1	9RA1	9RA1																																																																																																																																								
07G1	07G1	07G1																																																																																																																																								
9SH0	9SH0	9SH0																																																																																																																																								
9MK1	9MK1	9MK1																																																																																																																																								
112,5	112,5																																																																																																																																									
9804	9804																																																																																																																																									
9806	9806																																																																																																																																									
9KA4	9KA4																																																																																																																																									
<p>↔ 226 cm</p> <table border="1"> <tr><td>90</td><td>90</td><td>45</td></tr> <tr><td>9845</td><td>9845</td><td>9845</td></tr> <tr><td>9895</td><td>9895</td><td>9895</td></tr> <tr><td>9KA3</td><td>9KA3</td><td>9KA3</td></tr> <tr><td>98M1</td><td>98M1</td><td>98M1</td></tr> <tr><td>9865</td><td>9843</td><td>9843</td></tr> <tr><td>9866</td><td>9893</td><td>9893</td></tr> <tr><td>9KA2</td><td>9KA0</td><td>9893</td></tr> <tr><td>98M2</td><td>9RA1</td><td>9KA0</td></tr> <tr><td>9898</td><td></td><td></td></tr> <tr><td>9RA1</td><td></td><td></td></tr> <tr><td>07G1</td><td></td><td></td></tr> <tr><td>9SH0</td><td></td><td></td></tr> <tr><td>9MK1</td><td></td><td></td></tr> </table> <table border="1"> <tr><td>112,5</td><td>112,5</td></tr> <tr><td>9804</td><td>9804</td></tr> <tr><td>9806</td><td>9806</td></tr> <tr><td>9KA4</td><td>9KA4</td></tr> </table>	90	90	45	9845	9845	9845	9895	9895	9895	9KA3	9KA3	9KA3	98M1	98M1	98M1	9865	9843	9843	9866	9893	9893	9KA2	9KA0	9893	98M2	9RA1	9KA0	9898			9RA1			07G1			9SH0			9MK1			112,5	112,5	9804	9804	9806	9806	9KA4	9KA4	<p>↔ 316 cm</p> <table border="1"> <tr><td>90</td><td>45</td><td>90</td><td>90</td></tr> <tr><td>9845</td><td>9845</td><td>9845</td><td>9845</td></tr> <tr><td>9895</td><td>9895</td><td>9895</td><td>9895</td></tr> <tr><td>9KA3</td><td>9KA3</td><td>9KA3</td><td>9KA3</td></tr> <tr><td>98M1</td><td>98M1</td><td>98M1</td><td>98M1</td></tr> <tr><td>9865</td><td>9865</td><td>9865</td><td>9865</td></tr> <tr><td>9866</td><td>9866</td><td>9866</td><td>9866</td></tr> <tr><td>9KA2</td><td>9843</td><td>9RA1</td><td>9KA2</td></tr> <tr><td>98M2</td><td>9893</td><td>9KA0</td><td>98M2</td></tr> <tr><td>9898</td><td>9KA0</td><td></td><td>9898</td></tr> <tr><td>9RA1</td><td></td><td></td><td>9RA1</td></tr> <tr><td>07G1</td><td></td><td></td><td>07G1</td></tr> <tr><td>9SH0</td><td></td><td></td><td>9SH0</td></tr> <tr><td>9MK1</td><td></td><td></td><td>9MK1</td></tr> </table>	90	45	90	90	9845	9845	9845	9845	9895	9895	9895	9895	9KA3	9KA3	9KA3	9KA3	98M1	98M1	98M1	98M1	9865	9865	9865	9865	9866	9866	9866	9866	9KA2	9843	9RA1	9KA2	98M2	9893	9KA0	98M2	9898	9KA0		9898	9RA1			9RA1	07G1			07G1	9SH0			9SH0	9MK1			9MK1	<p>↔ 271 cm</p> <table border="1"> <tr><td>90</td><td>90</td><td>90</td></tr> <tr><td>9865</td><td>9865</td><td>9865</td></tr> <tr><td>9866</td><td>9866</td><td>9866</td></tr> <tr><td>9KA2</td><td>9KA2</td><td>9KA2</td></tr> <tr><td>98M2</td><td>98M2</td><td>98M2</td></tr> <tr><td>9898</td><td>9898</td><td>9898</td></tr> <tr><td>9RA1</td><td>9RA1</td><td>9RA1</td></tr> <tr><td>07G1</td><td>07G1</td><td>07G1</td></tr> <tr><td>9SH0</td><td>9SH0</td><td>9SH0</td></tr> <tr><td>9MK1</td><td>9MK1</td><td>9MK1</td></tr> </table>	90	90	90	9865	9865	9865	9866	9866	9866	9KA2	9KA2	9KA2	98M2	98M2	98M2	9898	9898	9898	9RA1	9RA1	9RA1	07G1	07G1	07G1	9SH0	9SH0	9SH0	9MK1	9MK1	9MK1
90	90	45																																																																																																																																								
9845	9845	9845																																																																																																																																								
9895	9895	9895																																																																																																																																								
9KA3	9KA3	9KA3																																																																																																																																								
98M1	98M1	98M1																																																																																																																																								
9865	9843	9843																																																																																																																																								
9866	9893	9893																																																																																																																																								
9KA2	9KA0	9893																																																																																																																																								
98M2	9RA1	9KA0																																																																																																																																								
9898																																																																																																																																										
9RA1																																																																																																																																										
07G1																																																																																																																																										
9SH0																																																																																																																																										
9MK1																																																																																																																																										
112,5	112,5																																																																																																																																									
9804	9804																																																																																																																																									
9806	9806																																																																																																																																									
9KA4	9KA4																																																																																																																																									
90	45	90	90																																																																																																																																							
9845	9845	9845	9845																																																																																																																																							
9895	9895	9895	9895																																																																																																																																							
9KA3	9KA3	9KA3	9KA3																																																																																																																																							
98M1	98M1	98M1	98M1																																																																																																																																							
9865	9865	9865	9865																																																																																																																																							
9866	9866	9866	9866																																																																																																																																							
9KA2	9843	9RA1	9KA2																																																																																																																																							
98M2	9893	9KA0	98M2																																																																																																																																							
9898	9KA0		9898																																																																																																																																							
9RA1			9RA1																																																																																																																																							
07G1			07G1																																																																																																																																							
9SH0			9SH0																																																																																																																																							
9MK1			9MK1																																																																																																																																							
90	90	90																																																																																																																																								
9865	9865	9865																																																																																																																																								
9866	9866	9866																																																																																																																																								
9KA2	9KA2	9KA2																																																																																																																																								
98M2	98M2	98M2																																																																																																																																								
9898	9898	9898																																																																																																																																								
9RA1	9RA1	9RA1																																																																																																																																								
07G1	07G1	07G1																																																																																																																																								
9SH0	9SH0	9SH0																																																																																																																																								
9MK1	9MK1	9MK1																																																																																																																																								
<p>↔ 271 cm</p> <table border="1"> <tr><td>90</td><td>90</td><td>90</td></tr> <tr><td>9845</td><td>9845</td><td>9845</td></tr> <tr><td>9895</td><td>9895</td><td>9895</td></tr> <tr><td>9KA3</td><td>9KA3</td><td>9KA3</td></tr> <tr><td>98M1</td><td>98M1</td><td>98M1</td></tr> <tr><td>9865</td><td>9865</td><td>9865</td></tr> <tr><td>9866</td><td>9866</td><td>9866</td></tr> <tr><td>9KA2</td><td>9KA2</td><td>9KA2</td></tr> <tr><td>98M2</td><td>98M2</td><td>98M2</td></tr> <tr><td>9898</td><td>9898</td><td>9898</td></tr> <tr><td>9RA1</td><td>9RA1</td><td>9RA1</td></tr> <tr><td>07G1</td><td>07G1</td><td>07G1</td></tr> <tr><td>9SH0</td><td>9SH0</td><td>9SH0</td></tr> <tr><td>9MK1</td><td>9MK1</td><td>9MK1</td></tr> </table>	90	90	90	9845	9845	9845	9895	9895	9895	9KA3	9KA3	9KA3	98M1	98M1	98M1	9865	9865	9865	9866	9866	9866	9KA2	9KA2	9KA2	98M2	98M2	98M2	9898	9898	9898	9RA1	9RA1	9RA1	07G1	07G1	07G1	9SH0	9SH0	9SH0	9MK1	9MK1	9MK1	<p>↔ 361 cm</p> <table border="1"> <tr><td>45</td><td>90</td><td>90</td><td>90</td><td>45</td></tr> <tr><td>9845</td><td>9845</td><td>9845</td><td>9845</td><td>9845</td></tr> <tr><td>9895</td><td>9895</td><td>9895</td><td>9895</td><td>9895</td></tr> <tr><td>9KA3</td><td>9KA3</td><td>9865</td><td>9KA3</td><td>9865</td></tr> <tr><td>98M1</td><td>98M1</td><td>9866</td><td>98M1</td><td>9866</td></tr> <tr><td>9865</td><td>9865</td><td>9KA2</td><td>9865</td><td>9865</td></tr> <tr><td>9866</td><td>9866</td><td>98M2</td><td>9866</td><td>9866</td></tr> <tr><td>9893</td><td>9KA2</td><td>9898</td><td>9KA2</td><td>9898</td></tr> <tr><td>98M2</td><td>98M2</td><td>9RA1</td><td>98M2</td><td>9898</td></tr> <tr><td>9898</td><td>9898</td><td>07G1</td><td>9898</td><td>9898</td></tr> <tr><td>9RA1</td><td>9RA1</td><td>9SH0</td><td>9RA1</td><td>9898</td></tr> <tr><td>07G1</td><td>07G1</td><td>9MK1</td><td>07G1</td><td>9898</td></tr> <tr><td>9SH0</td><td>9SH0</td><td></td><td>9SH0</td><td>9898</td></tr> <tr><td>9MK1</td><td>9MK1</td><td></td><td>9MK1</td><td>9898</td></tr> </table>	45	90	90	90	45	9845	9845	9845	9845	9845	9895	9895	9895	9895	9895	9KA3	9KA3	9865	9KA3	9865	98M1	98M1	9866	98M1	9866	9865	9865	9KA2	9865	9865	9866	9866	98M2	9866	9866	9893	9KA2	9898	9KA2	9898	98M2	98M2	9RA1	98M2	9898	9898	9898	07G1	9898	9898	9RA1	9RA1	9SH0	9RA1	9898	07G1	07G1	9MK1	07G1	9898	9SH0	9SH0		9SH0	9898	9MK1	9MK1		9MK1	9898																									
90	90	90																																																																																																																																								
9845	9845	9845																																																																																																																																								
9895	9895	9895																																																																																																																																								
9KA3	9KA3	9KA3																																																																																																																																								
98M1	98M1	98M1																																																																																																																																								
9865	9865	9865																																																																																																																																								
9866	9866	9866																																																																																																																																								
9KA2	9KA2	9KA2																																																																																																																																								
98M2	98M2	98M2																																																																																																																																								
9898	9898	9898																																																																																																																																								
9RA1	9RA1	9RA1																																																																																																																																								
07G1	07G1	07G1																																																																																																																																								
9SH0	9SH0	9SH0																																																																																																																																								
9MK1	9MK1	9MK1																																																																																																																																								
45	90	90	90	45																																																																																																																																						
9845	9845	9845	9845	9845																																																																																																																																						
9895	9895	9895	9895	9895																																																																																																																																						
9KA3	9KA3	9865	9KA3	9865																																																																																																																																						
98M1	98M1	9866	98M1	9866																																																																																																																																						
9865	9865	9KA2	9865	9865																																																																																																																																						
9866	9866	98M2	9866	9866																																																																																																																																						
9893	9KA2	9898	9KA2	9898																																																																																																																																						
98M2	98M2	9RA1	98M2	9898																																																																																																																																						
9898	9898	07G1	9898	9898																																																																																																																																						
9RA1	9RA1	9SH0	9RA1	9898																																																																																																																																						
07G1	07G1	9MK1	07G1	9898																																																																																																																																						
9SH0	9SH0		9SH0	9898																																																																																																																																						
9MK1	9MK1		9MK1	9898																																																																																																																																						

Options for installing the drawer units, shelf inserts and trouser pull-out

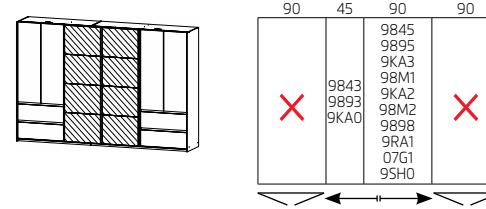
Synchronous sliding door wardrobes

↔ 271 cm

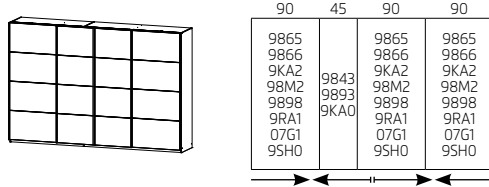


Hinged/synchronous sliding door wardrobes with drawers

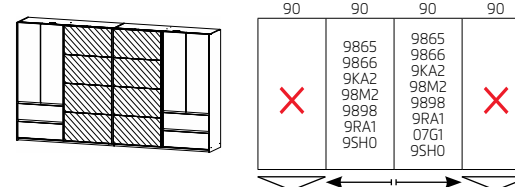
↔ 316 cm



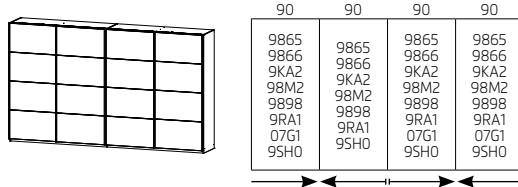
↔ 316 cm



↔ 361 cm



↔ 361 cm



ACCESSORIES 1.1

rauch ORANGE

for sliding door robes




Element width 45, 67,5, 90, 112,5 cm

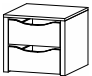

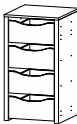

Purchase Price list

24.11.2023 SIS_AG
valid until revoked



Colour	Colour code
Textline (natural-colour linen look)	A0033

ELEMENT WIDTH ▶		45	45	45	45
					
		Fachboden for unit width 45cm ↔43 cm ↓1,6 cm ↗48 cm	Shoe shelves with profiles for unit width 45cm ↔43 cm ↓1,6 cm ↗37 cm	hanging rail for unit width 45cm ↔43 cm ↓3 cm ↗2 cm	
1 pieces	Price	9664	80LEI	9737	40LEI
Set of 2		9665	160LEI	9FE2	190LEI
Set of 3		9666	230LEI	9FE3	290LEI
Set of 5		9667	350LEI		

ELEMENT WIDTH ▶		45	45	45	45				
Please be sure to observe the options for installing in sliding door wardrobes on page 2/3.									
		interior drawer with 2 drawers for unit width 45cm ↔43 cm ↓39 cm ↗45 cm	interior drawer with 3 drawers for unit width 45cm ↔43 cm ↓57 cm ↗45 cm	interior drawer with 4 drawers for unit width 45cm ↔43 cm ↓80 cm ↗45 cm	fabric box Set of 2 (4 small, 2 large boxes) ↔31 cm ↓8 cm ↗39 cm				
		Article	Price	9843	450LEI	9893	599LEI	9KA0	970LEI




ACCESSORIES 1.1




rauch ORANGE

for sliding door robes

Element width 45, 67,5, 90, 112,5 cm

Colour	Colour code
Textline (natural-colour linen look)	A0033

ELEMENT WIDTH ▶		67,5	67,5	67,5	67,5
					
		Fachboden for unit width 66cm ↔66 cm ↑1,6 cm ↘48 cm	Schuhablageböden with profiles for unit width 66cm ↔66 cm ↑1,6 cm ↘37 cm	hanging rail for unit width 66cm ↔65 cm ↑3 cm ↘2 cm	
1 pieces	Price	9668	120LEI	9743	45LEI
Set of 2		9669	230LEI	9FG2	250LEI
Set of 3		9670	330LEI	9FG3	399LEI

ELEMENT WIDTH ▶		67,5	67,5	67,5	67,5		
Please be sure to observe the options for installing in sliding door wardrobes on page 2/3.							
		interior drawer with 3 drawers for unit width 66cm ↔66 cm ↑57 cm ↘45 cm	interior drawer with 4 drawers indented for unit width 67cm ↔66 cm ↑81 cm ↘45 cm	fabric box Set of 3 (6 small, 3 large boxes) ↔47 cm ↑8 cm ↘39 cm			
		Article	Price	9860	699LEI	9KA1	1080LEI

ACCESSORIES 1.1

rauch ORANGE

for sliding door robes





Element width 45, 67,5, 90, 112,5 cm


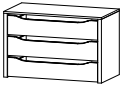
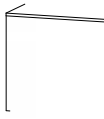
Purchase Price list


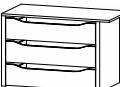



24.11.2023 SIS_AG
valid until revoked



Colour	Colour code
Texline (natural-colour linen look)	A0033

ELEMENT WIDTH ▶		90	90	90	90
					
		Fachboden for unit width 90cm ↔88 cm †1,6 cm ↗48 cm	Schuhablageböden with profiles for unit width 90cm ↔88 cm †13 cm ↗37 cm	hanging rail for unit width 90cm ↔87 cm †3 cm ↗2 cm	trouser pull-out for unit width 90cm ↔88 cm †10 cm ↗50 cm
1 pieces	Price	9672	120LEI	9736	50LEI
Set of 2		9673	230LEI	9FH2	270LEI
Set of 3		9674	330LEI	9FH3	430LEI
					9SH0
					899LEI
					Please be sure to observe the options for installing in sliding door wardrobes on page 2/3.

ELEMENT WIDTH ▶		90	90		
					
		interior drawer with 2 drawers for unit width 90cm ↔88 cm †39 cm ↗45 cm	interior drawer with 3 drawers for unit width 90cm ↔88 cm †57 cm ↗45 cm	↔	
Article	Price	9845	580LEI	9895	750LEI

ELEMENT WIDTH ▶		90	90	90	90	90
						
		interior drawer with 2 drawers for unit width 90cm ↔88 cm †39 cm ↗45 cm	interior drawer with 3 drawers for unit width 90cm ↔88 cm †57 cm ↗45 cm	interior drawer with 4 drawers indented for unit width 90cm ↔88 cm †81 cm ↗45 cm	interior drawer with 5 drawers indented for unit width 90cm ↔88 cm †81 cm ↗45 cm	fabric box for drawer insert indented Set of 4 (8 small, 4 large boxes) ↔62 cm †8 cm ↗39 cm
Article	Price	9865	580LEI	9866	750LEI	9KA2
				1150LEI	98M2	1450LEI
					9382	399LEI

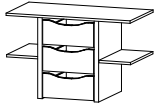
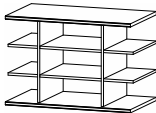
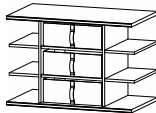
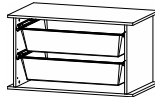
ACCESSORIES 1.1

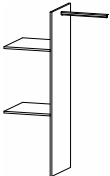
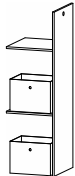
rauch ORANGE

for sliding door robes

Element width 45, 67,5, 90, 112,5 cm

Colour	Colour code
Textline (natural-colour linen look)	A0033

ELEMENT WIDTH ▶		90	90	90	90
Please be sure to observe the options for installing in sliding door wardrobes on page 2/3.					
		interior drawer	shelf commitment	shelf commitment	mesh basket insert
		for unit width 90cm with 3 drawers with shelves	for unit width 90cm	incl. 3 fabric boxes for unit width 90cm	
		↔88 cm ↓57 cm ↗45 cm	↔88 cm ↓60 cm ↗50 cm	↔88 cm ↓60 cm ↗50 cm	↔88 cm ↓50 cm ↗50 cm
Article	Price	9898 680LEI	9RA1 840LEI	07G1 1100LEI	9MK1 830LEI

ELEMENT WIDTH ▶		90	90
interior division not possible for elements with drawers!			
		wardrobe interior division	wardrobe interior division
		with clothes rail with 2 shelves for unit width 90cm	incl. 2 fabric boxes with 2 shelves for unit width 90cm
		↔88 cm ↓147 cm ↗48 cm	↔45 cm ↓147 cm ↗48 cm
Article	Price	9991 380LEI	93H1 350LEI

ACCESSORIES 1.1

rauch ORANGE

for sliding door robes



Element width 45, 67,5, 90, 112,5 cm


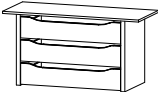
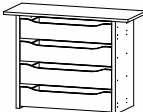

Purchase Price list

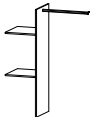

24.11.2023 SIS_AG
valid until revoked







Colour	Colour code
Texline (natural-colour linen look)	A0033




ELEMENT WIDTH ▶		112,5	112,5	112,5	112,5
Design constraints necessitate a shelf thickness of 2.2 cm on unit widths of 112.5 cm.					
		Fachboden for unit width 112,5cm ↔111 cm †2 cm ↗48 cm	hanging rail for unit width 112,5cm ↔110 cm †3 cm ↗2 cm		
	1 pieces	Price 9F01	150LEI	9709	50LEI
	Set of 2	9F02	280LEI		

ELEMENT WIDTH ▶		112,5	112,5	112,5	112,5	
Please be sure to observe the options for installing in sliding door wardrobes on page 2/3.						
		interior drawer with 2 drawers for unit width 112,5cm ↔111 cm †39 cm ↗45 cm	interior drawer with 3 drawers for unit width 112,5cm ↔111 cm †57 cm ↗45 cm	interior drawer with 4 drawers indented for unit width 112cm ↔111 cm †81 cm ↗45 cm	fabric box Set of 5 (10 small, 5 large boxes) ↔78 cm †8 cm ↗39 cm	
	Article	Price 9804	570LEI	9806	750LEI	9KA4
					1250LEI	9383
						399LEI

ELEMENT WIDTH ▶		112,5	112,5	112,5	112,5
		interior division not possible for elements with drawers!			
					
		wardrobe interior division with clothes rail with 2 shelves for unit width 112,5cm ↔110 cm †147 cm ↗48 cm	wardrobe interior division with 2 shelves for unit width 90cm ↔45 cm †147 cm ↗48 cm		
Article	Price 9939	380LEI	9955	350LEI	

Colour	Colour code
Texline (natural-colour linen look)	A0033

GENERAL		damper for sliding doors rauch EASY SLIDE for sliding door robes						
								
	set of 2 dampers for sliding wardrobes EASY SLIDE of 2 and 3 door sliding door wardrobes Cushions the door stop on the outer panels. ↔5 cm †2 cm ↗27 cm	damper for middle door, 1 pieces EASY SLIDE of 3 door Sliding door wardrobes, damper for middle door ↔4 cm †2 cm ↗28 cm	damper for sliding doors, 1 pieces EASY SLIDE for hinged/sliding door wardrobes (1 Sliding doors) can be mounted on the left or right! ↔5 cm †2 cm ↗27 cm					
	Article	Price	9DC2	380LEI	9DC4	260LEI	9DC1	200LEI

GENERAL		damper for sliding doors rauch EASY SLIDE for synchronous sliding door robes					
			<p>HINWEIS! For fitting the damper 9DS5 for synchronous sliding-door wardrobes width 316 cm, a room height of wardrobe height + 25 cm is required.</p> <p>Ex: wardrobe height 210 cm + 25 cm = required room height 235 cm</p>				
	set of 3 dampers for sliding wardrobes <u>ONLY</u> for synchronous sliding door robes Width 271, 361 cm, 4-door	set of 3 dampers for sliding wardrobes <u>ONLY</u> for synchronous sliding door robes Width 316 cm, 4-door					
Article	Price	9DC3	550LEI	9DS5	550LEI		